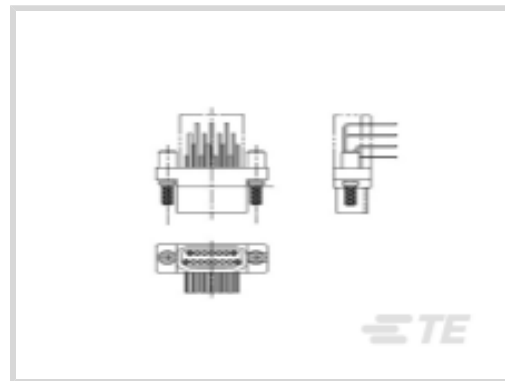




Connectors > PCB Connectors > PCB Headers & Receptacles



Connector System: **Wire-to-Board**

Number of Positions: **65**

Number of Rows: **2**

Centerline (Pitch): **.64 mm [.025 in]**

PCB Mount Orientation: **Horizontal**

Features

Product Type Features

Connector System	Wire-to-Board
Sealable	No
Connector & Contact Terminates To	Printed Circuit Board
PCB Connector Assembly Type	PCB Mount Header

Configuration Features

Number of Positions	65
Number of Rows	2
PCB Mount Orientation	Horizontal

Body Features

Primary Product Color	Natural
-----------------------	---------

Contact Features

Contact Mating Area Plating Material Thickness	1.27 – 2.28 µm[50 – 90 µin]
PCB Contact Termination Area Plating Material	Tin-Lead
Contact Base Material	Brass
Contact Mating Area Plating Material	Tin-Lead
Contact Type	Pin

Termination Features

Rectangular Termination Post & Tail Thickness	.18 mm[.008 in]
---	-----------------

Rectangular Termination Post & Tail Width	.23 mm[.009 in]
Termination Post & Tail Length	2.29 mm[.09 in]
Termination Method to Printed Circuit Board	Through Hole - Solder

Mechanical Attachment

Surface Mount Extended Leads	Without
Mounting/Mating Hardware	With
Mating Alignment Type	Polarization
Mating Retention	With
Hardware Type	1.0 mm Captive Jackscrew
Panel Mount Feature	Without
Mating Retention Type	Jackscrew
Connector Mounting Type	Board Mount
Mating Alignment	With
PCB Mount Alignment	Without
PCB Mount Retention	Without

Housing Features

Housing Plating Material	Nickel
Housing Material	LCP (Liquid Crystal Polymer)
Centerline (Pitch)	.64 mm[.025 in]

Dimensions

Connector Length	25.62 mm[1.009 in]
Connector Height	3.2 mm[.126 in]
Row-to-Row Spacing	1.02 mm[.04 in]

Operation/Application

Circuit Application	Power
---------------------	-------

Packaging Features

Packaging Quantity	1
Packaging Type	Package

Product Compliance

[For compliance documentation, visit the product page on TE.com>](#)

EU RoHS Directive 2011/65/EU	Not Compliant
------------------------------	---------------

EU ELV Directive 2000/53/EC

Not Compliant

China RoHS 2 Directive MIIT Order No 32, 2016

Restricted Materials Above Threshold

EU REACH Regulation (EC) No. 1907/2006

Current ECHA Candidate List: JUNE 2022
(224)Candidate List Declared Against: JAN 2022
(223)

SVHC > Threshold:

Pb (.4% in Plating)

Article Safe Usage Statements:

Do not eat, drink or smoke when using this product. Wash thoroughly after handling. Recycle if possible and dispose of the article by following all applicable governmental regulations relevant to your geographic location.

Halogen Content

Not Yet Reviewed for halogen content

Solder Process Capability

Not lead free process capable

Product Compliance Disclaimer

This information is provided based on reasonable inquiry of our suppliers and represents our current actual knowledge based on the information they provided. This information is subject to change. The part numbers that TE has identified as EU RoHS compliant have a maximum concentration of 0.1% by weight in homogenous materials for lead, hexavalent chromium, mercury, PBB, PBDE, DBP, BBP, DEHP, DIBP, and 0.01% for cadmium, or qualify for an exemption to these limits as defined in the Annexes of Directive 2011/65/EU (RoHS2). Finished electrical and electronic equipment products will be CE marked as required by Directive 2011/65/EU. Components may not be CE marked. Additionally, the part numbers that TE has identified as EU ELV compliant have a maximum concentration of 0.1% by weight in homogenous materials for lead, hexavalent chromium, and mercury, and 0.01% for cadmium, or qualify for an exemption to these limits as defined in the Annexes of Directive 2000/53/EC (ELV). Regarding the REACH Regulation, the information TE provides on SVHC in articles for this part number is based on the latest European Chemicals Agency (ECHA) 'Guidance on requirements for substances in articles' posted at this URL: <https://echa.europa.eu/guidance-documents/guidance-on-reach>

Compatible Parts



Documents

Product Drawings

[STM065C6N = THRU-HOLE](#)

English

CAD Files

Customer View Model

[ENG_CVM_CVM_1589481-8_U.2d_dxf.zip](#)

English

[3D PDF](#)



3D

Customer View Model

[ENG_CVM_CVM_1589481-8_U.3d_igs.zip](#)

English

Customer View Model

[ENG_CVM_CVM_1589481-8_U.3d_stp.zip](#)

English

By downloading the CAD file I accept and agree to the [Terms and Conditions](#) of use.

Datasheets & Catalog Pages

[1589481 Nanonics Cross Reference](#)

English